

# ELITE

*Elegant profile, enabling upmarket designs*



# ELITE



An elegant profile, enabling upmarket designs with clean lines to be constructed with all the benefits associated with a concrete roof tile.

The flat profiled Elite tile epitomises sophistication and elegance. The clean aesthetic lines and distinctive style bring architectural beauty, quality and a superior finish to any building, be it residential or commercial.

The Elite concrete roof tile originated from new and advanced technologies in the manufacturing process of concrete roof tiles and is available in a variety of surface finishes and colours.

The Elite tile was launched as a cost-effective alternative to slate tiles.

## STANDARD FINISH

### THROUGH COLOUR



Black  
905031

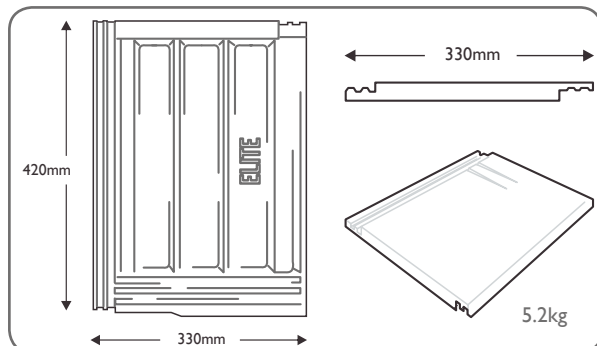
## LUMINO FLAIR FINISH

**NEW**

### THROUGH COLOUR



Black  
905031/4



## TECHNICAL DATA

Overall size of tile (mm)	420 x 330 mm
Approximate mass per tile	5.2 kg
Linear cover per tile	295 mm

## STRUCTURAL DATA

The roof structure specifications should comply with the regulations in your area.

Rafter Centres	38 x 38 Batten
Up to 760 mm	
Up to 950 mm	38 x 50 mm Batten on edge
Headlap (mm)	
17° to 25°	100
26° and over	75
Batten Centres (mm)	
17° to 25°	320
26° and over	345
Batten per m <sup>2</sup> (m)	
17° to 25°	3.13**
26° and over	2.9**
Number of tiles per m <sup>2</sup>	
17° to 25°	10.6
26° and over	9.8
Approximate mass of tile m <sup>2</sup> (kg)	
17° to 25°	55
26° and over	50
Laying application	
17° to 25°	Broken Bond
26° and over	Broken Bond
Undertile Membrane Recommended at all Pitches	
17° to 25°	Mandatory
26° and over	Mandatory

\*\* No allowance made for wastage.

Disclaimer: The printing process, age and lighting conditions may affect the appearance and colour of these illustrations. MONIER Roofing recommends you examine an actual sample tile of your colour choice before making your buying decision. Special colours are available on request. Contact your nearest outlet for further information.

